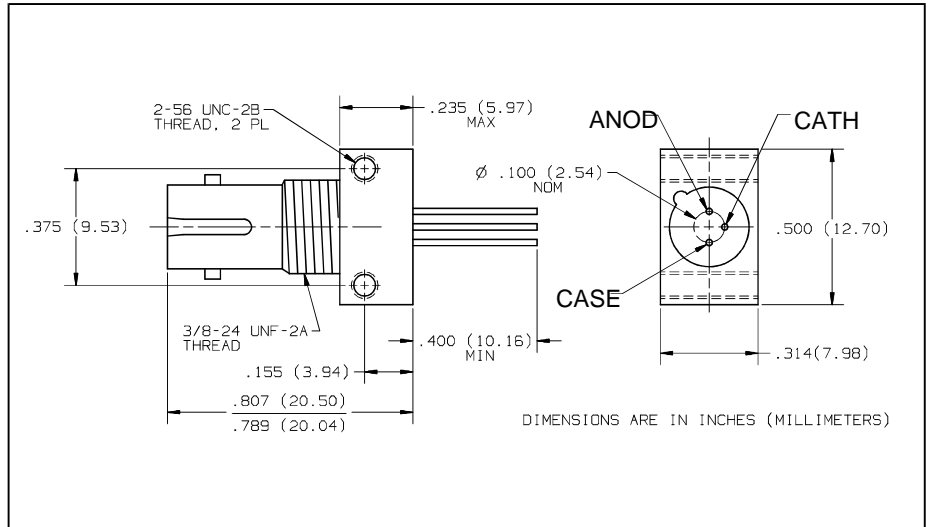


# Short Wavelength PIN Photodiode in Conductive Plastic ST\* Receptacle Type OPF792



## Features

- High speed, low capacitance
- Low cost conductive plastic receptacle

## Description

The OPF792 is a silicon PIN photodiode mounted in a conductive plastic receptacle. Using a "Conductive" plastic allows an electrical connection to still be made to the receptacle for noise sensitive applications. Its high speed and low cost make it a good choice for cost sensitive high data rate applications up to 194 MBd.

\*ST is a registered trademark of AT&T.

## Absolute Maximum Ratings (T<sub>A</sub> = 25° C unless otherwise noted)

Storage Temperature	.....	-55° C to +85° C
Operating Temperature	.....	-40° C to +85° C
Lead Soldering Temperature [1/16 inch (1.6 mm) from case for 5 sec. with soldering iron]	.....	260° C
Reverse Bias Voltage	.....	50 V

# Type OPF792

**Electrical Characteristics** ( $T_A = 25^{\circ}\text{C}$  unless otherwise noted)

$R_P$  tested with graded index fiber, 50/125, N.A. = 0.20

SYMBOL	PARAMETER	MIN	TYP	MAX	UNITS	TEST CONDITIONS
$R_P$	Responsivity	.45			A/W	$V_R = 5.0\text{ V}$
$I_P$	Dark Current		0.5	5	nA	$V_R = 5.0\text{ V}$
$t_r$	Output Rise Time		2.0		ns	$V_R = 5.0\text{ V}$
BW	Bandwidth		175		MHz	$V_R = 5.0\text{ V}$